



Rowe Hankins Ltd.

Non-Intrusive Current Monitoring (NIC) Unit





Precision...
made here

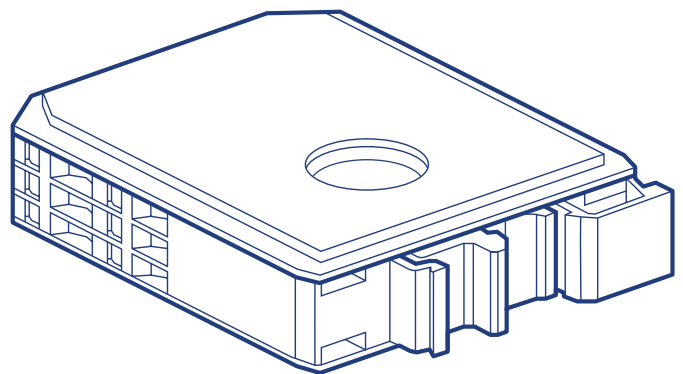
Rowe Hankins Ltd. Non-Intrusive Current Monitors (NIC) assist wayside signalling and telecoms applications of Network Rail's preventative maintenance programmes. The NIC units monitor operational and earth leakage currents of wayside critical signals and fixed electrical installations.



The NIC is a passive device that detects the current flowing in a signalling or telecoms systems cabling, with no effect on the signal or power supply of the system being monitored.

The NIC can detect very small signalling, telecoms and/or earth leakage currents. They are normally installed as a key part of a local datalogging or SCADA RTU system connected to the regional operational control centre (ROC). The NIC offers the facility of a "volt-free trip contact", that operates immediately on the detection of any current signals measured outside of their normal operational limits. The "trip" level can be factory set to any required level and may also be used for the interlocking or secondary detection of safety or critical telecoms circuits.

The NIC ensures optimisation of maintenance activities and immediate early detection of insulation degradation or faults in signalling/telecoms or fixed electrical installation circuits that may have been inadvertently caused by other railway maintenance works. This is performed when the circuit being monitored is passed through the aperture in the side of the NIC case. The NIC is typically used in signalling and telecoms REBs, Wayside Loc's and points control cabinets.



Features & Benefits:



Intelligent infrastructure initiative for remote condition monitoring and proactive maintenance.



Supply Reverse Polarity protection.



Ability for equipment to be "fixed before failure".



DIN rail mounting.



Enables significant reduction in manual routine inspections.



Unipolar and Bipolar versions also available.



Current trip with relay output.



Network Rail approved, with PAD Numbers.



LED trip level indicator.



The product is RoHS and WEEE Compliant.





Rowe Hankins Ltd.

Get in touch

rowehankins.com

sales@rowehankins.com

+44(0) 161 765 3000

Power House, Parker Street, Bury, BL9 0RJ, UK