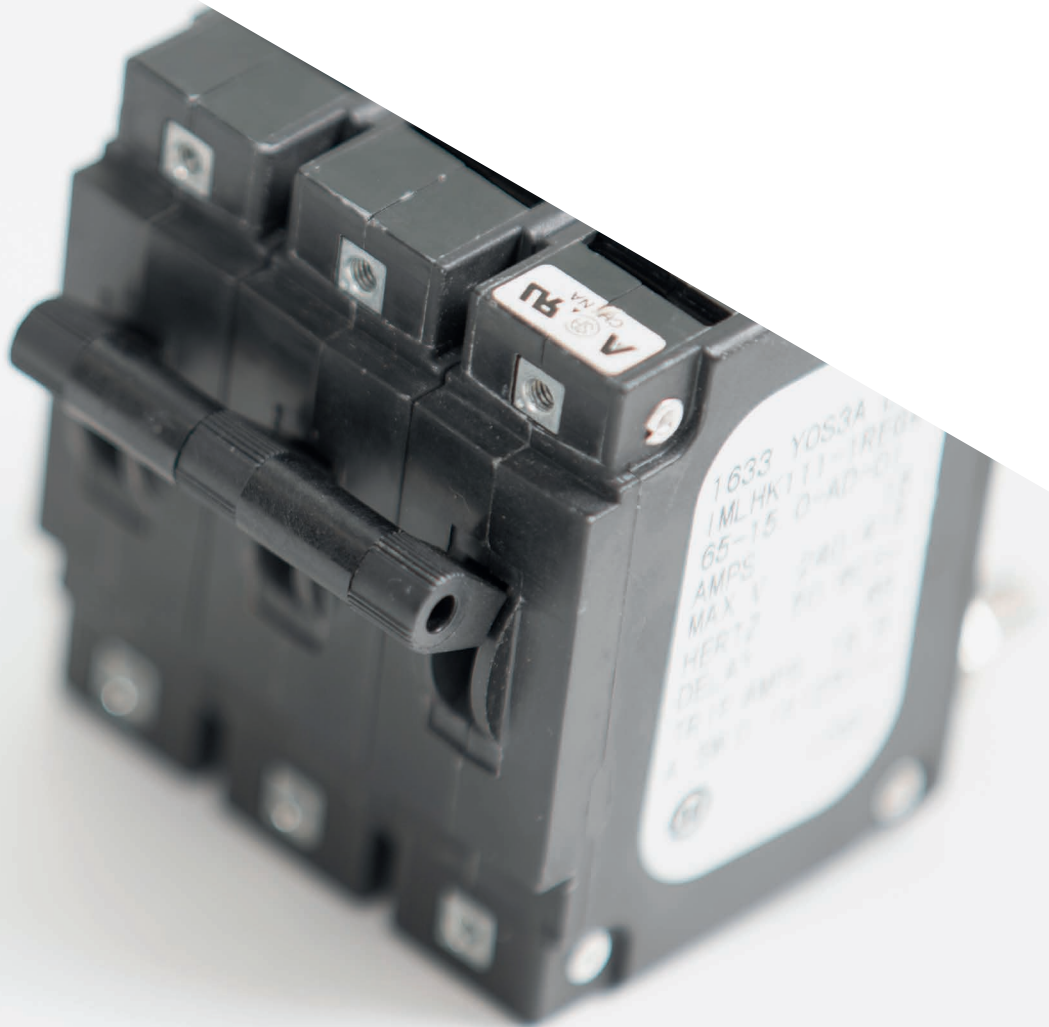




Rowe Hankins Ltd.

Circuit Breakers





1432 YOS4A LINE
1ALK1-1REC4-
38929-20 20.0
FL AMPS 110
MAX. V
HERTZ SP
DELAY 1A80V
A. SW. LOAD



Precision...
made here

Rowe Hankins Ltd. offer a range of Hydraulic Magnetic Circuit Breakers for the protection of electrical installations. They provide overload and short circuit protection for both AC and DC systems. The Circuit Breakers are available across a wide range of current, voltage and frequency ratings.

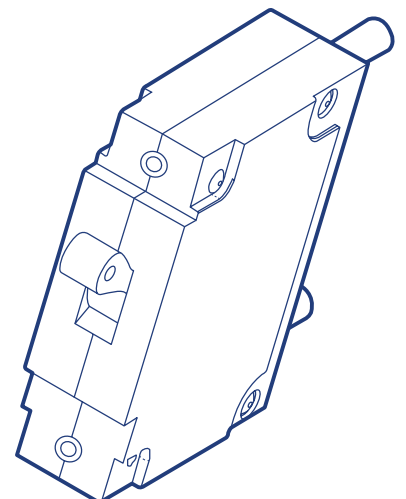


Hydraulic Magnetic Circuit Breakers do not employ the use of any thermal element to carry out the objective of current monitoring. Therefore, allowing the Circuit Breakers to operate in parameters not affected by adverse environmental conditions.

Additionally, when tripped there is no requirement for a "cooling down period" of the Circuit Breakers, allowing instant reset and reducing the down time of the load circuit. Other advantages include the allowance of instant trip criteria as well as a variety of delay characteristics. The current rating of the Circuit Breaker can be bespoke to the customers' requirements, ranging from 0.1A minimum up to 100A maximum.

Hydraulic Magnetic Circuit Breakers use the principles of the magnetic influences produced by current to operate the device. They have a hydraulic time delay mechanism; the delay of the Circuit Breaker is determined by forcing a movable core held under the tension of a spring through a hermetically sealed cylinder filled with a viscous fluid.

When a momentary overcurrent is observed by the Circuit Breaker, the core can return to a rested state without the Circuit Breaker tripping. With a persistent overcurrent the mechanism inevitably fully operates, thus activating the Circuit Breaker to trip open. Once tripped the current flow to the load is reduced to zero, and the magnetic field is reduced to zero and therefore the mechanism returns back to its original position. It can then be mechanically reset to closed by a competent person. Such feature is a sought-after advantage in circuit protection as the Circuit Breaker can be reset immediately after tripping.



Features & Benefits:



Continuous operation at 100% rated current at temperatures between -40°C and +85°C.



The range has a minimum of 10,000 switching operations.



Low smoke and zero halogen.



A simple On/Off toggle switch, to allow either standard or reverse orientation.



Resistant to corrosion.



Increased shock and vibration parameters.



1-6 poles are available with multiple poles internally coupled; with series or relay configuration with auxiliary contacts.



Available with M5 or M6 stud terminals.



Various trip curves available: instant, motor start and high inrush.





Rowe Hankins Ltd.

Get in touch

rowehankins.com

sales@rowehankins.com

+44(0) 161 765 3000

Power House, Mason Street, Bury, Lancashire, BL9 0RH, UK